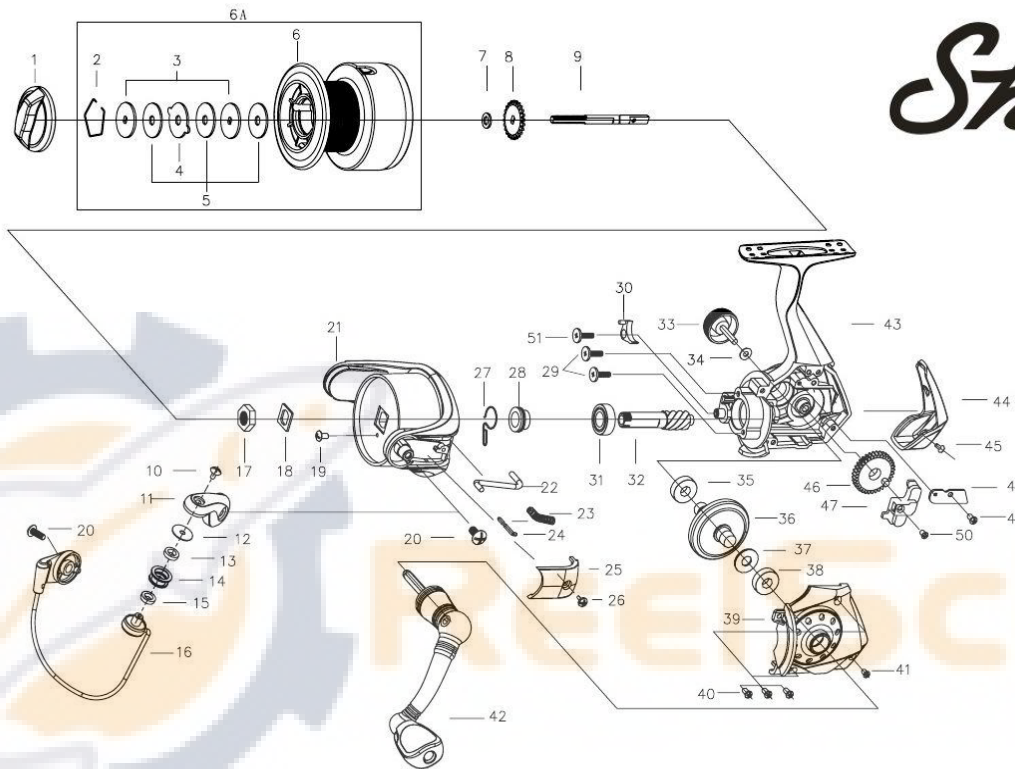


Shakespeare®

BANK STIK

Model BANK STIK50

SKP-SP-BANK STIK50-01



Item	Description	SAP #	Item	Description	SAP #	Item	Description	SAP #	Item	Description	SAP #
1	DRAG KNOB ASSEMBLY	1346043	13	BUSHING	1283184	26	SCREW	1339494	39	BODY COVER	1346056
2	DRAG WASHER RETAINER	1339520	14	LINE ROLLER	1346731	27	SILENCE SPRING	1346050	40	BODY COVER SCREW	1363953
3	KEY WASHER	1339521	15	BUSHING	1283184	28	SILENCE SPRING SLEEVE	1346049	41	SCREW	1339565
4	EAR WASHER	1339522	16	BAIL ASSEMBLY	1346046	29	SCREW	1345981	42	HANDLE ASSEMBLY	1346057
5	DRAG WASHER	1339523	17	ROTOR NUT	1283399	30	RATCHET LEVER	1346051	43	BODY	1364192
6	SPOOL	1364188	18	ROTOR NUT WASHER	1283523	31	BALL BEARING	1346052	44	REAR COVER	1364193
6A	SPOOL ASSEMBLY	1364189	19	NUT LOCKER SCREW	1283190	32	PINION GEAR	1346053	45	SCREW	1283238
7	WASHER	1283397	20	SCREW	1283402	33	HANDLE SCREW CAP	1363951	46	OSCILLATING GEAR	1346060
8	CLICK GEAR	1283398	21	ROTOR	1364190	34	WASHER	1339553	47	OSCILLATING SLIDER	1346061
9	MAIN SHAFT	1363948	22	BAIL TRIP SHAFT	1363950	35	BODY BUSHING	1346017	48	SLIDER KEEPER	1363954
10	SCREW	1339484	23	BAIL SPRING	1283526	36	DRIVE GEAR	1363952	49	SCREW	1346099
11	BAIL ARM	1363949	24	BAIL TRIP LINKAGE	1283296	37	WASHER	1339562	50	SCREW	1346746
12	WASHER	1339534	25	ROTOR COVER	1364191	38	BUSHING	1346017	51	SCREW	1283332